

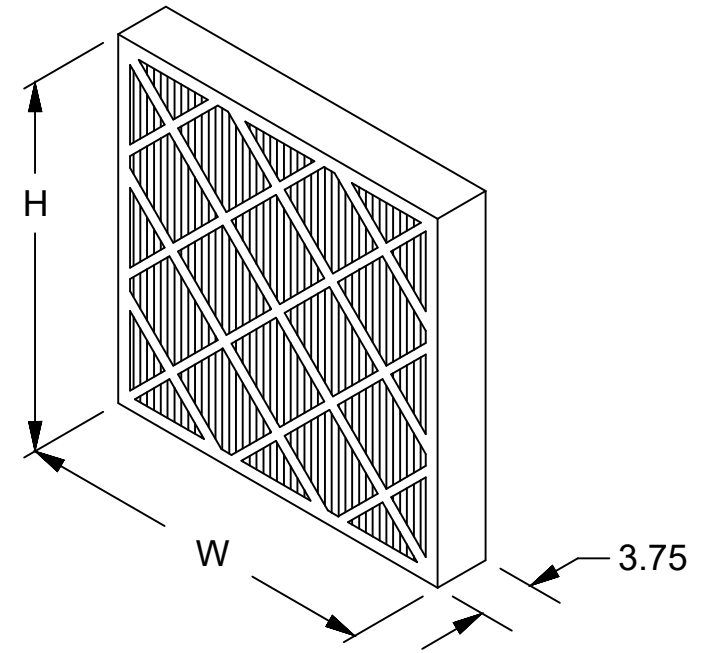
| Nominal Size<br>W x H x D<br>(in) | Actual Size<br>W x H x D<br>(in) | Part Number | Capacity<br>(CFM) | Resistance<br>(in W.G.) | Media Area<br>(sq ft) | Carton Qty | Weight per<br>Carton (lbs) |
|-----------------------------------|----------------------------------|-------------|-------------------|-------------------------|-----------------------|------------|----------------------------|
| 24x24x4                           | 23-3/8 x 23-3/8 x 3-3/4          | 120-702-001 | 2000              | 0.40                    | 120                   | 3          | 20                         |
| 20x25x4                           | 19-1/2 x 24-1/2 x 3-3/4          | 120-702-002 | 1750              | 0.40                    | 111                   | 3          | 18                         |
| 20x24x4                           | 19-1/2 x 23-3/8 x 3-3/4          | 120-702-003 | 1650              | 0.40                    | 106                   | 3          | 17                         |
| 20x20x4                           | 19-1/2 x 19-1/2 x 3-3/4          | 120-702-004 | 1100              | 0.40                    | 88                    | 3          | 13                         |
| 18x24x4                           | 17-1/2 x 23-3/8 x 3-3/4          | 120-702-005 | 1400              | 0.40                    | 95                    | 3          | 13                         |
| 16x25x4                           | 15-1/2 x 24-1/2 x 3-3/4          | 120-702-006 | 1400              | 0.40                    | 88                    | 3          | 13                         |
| 16x20x4                           | 15-1/2 x 19-1/2 x 3-3/4          | 120-702-007 | 1125              | 0.40                    | 70                    | 3          | 11                         |
| 12x24x4                           | 11-3/8 x 23-3/8 x 3-3/4          | 120-702-008 | 1750              | 0.40                    | 63                    | 6          | 20                         |

**Standard Construction:**

1. Gradient Density Microfiberglass Media
2. Hotmelt Adhesive Media Separators
3. Moisture Resistant Beverage Board Frame (24 point)
4. Double Wall Frame

**Specifications:**

1. Efficiency: MERV 11 (ASHRAE Standard 52.2-2017)
2. Final Resistance: 1.5" W.G.
3. Rated Velocity: 500 FPM
4. Classified per UL Standard 900
5. Maximum Operating Temperature: 150 F (66 C)
6. Tolerance: Height & Width - +/- 1/8"
7. Tolerance: Depth - +/- 1/16"



**MicroMAX**  
Beverage Board  
MERV 11

| REV<br>LTR | REVISION | BY /<br>DATE |
|------------|----------|--------------|
|            |          |              |
|            |          |              |
|            |          |              |

8401 Air Commerce Drive - Louisville KY 40219  
Phone: (502) 634-4796 FAX: (502) 637-2280

Drawn By: Brent Chamberlain  
Date: May 22, 2023

Revision